

- D** **STEINEL-Schnell-Service**
Dieselstraße 80-84 · 33442 Herzebrook-Clarholz
Tel: +49/5245/448-188 · Fax: +49/5245/448-197 · www.steinel.de
- A** **Steinel Austria GmbH**
Hirschstettner Strasse 19/A/2/2 · A-1220 Wien
Tel.: +43/1/2023470 · Fax: +43/1/2020189 · info@steinel.at
- CH** **PUAG AG**
Oberebenstrasse 51 · CH-5620 Bremgarten
Tel.: +41/56/6488888 · Fax: +41/56/6488880 · info@puag.ch
- GB** **STEINEL U.K. LTD.**
25, Manasty Road · Axis Park · Orton Southgate
GB-Peterborough Cambs PE2 6UP
Tel.: +44/1733/366-700 · Fax: +44/1733/366-701
steinel@steinel.co.uk
- IRL** **Socket Tool Company Ltd**
Unit 714 Northwest Business Park
Kilshane Drive · Ballyoolin Dublin 15
Tel.: 00353 1 8809120 · Fax: 00353 1 8612061
info@sockettool.ie
- F** **STEINEL FRANCE SAS**
ACTICENTRE - CRT 2 · Rue des Farnars - Bât. M - Lot 3
F-59618 Lesquin Cedex · Tel.: +33/3/20 30 34 00
Fax: +33/3/20 30 34 20 · info@steinelfrance.com
- NL** **VAN SPIJK AGENTUREN**
Postbus 2 · 5688 HP OIRSCHOT · De Scheper 260
5688 HP OIRSCHOT · Tel. +31 499 571810
Fax: +31 499 575795 · vsa@vanspijki.nl · www.vanspijki.nl
- B** **VSA handel Bvba**
Hogebelg 29 · B-2440 Geel
Tel.: +32/14/256050 · Fax: +32/14/256059
info@vshandel.be · www.vshandel.be
- L** **Minusines S.A.**
8, rue de Hogebelg · L-1022 Luxembourg
Tel.: (00 352) 49 58 58 1 · Fax: (00 352) 49 58 66/67
www.minusines.lu
- E** **SAET-94 S.L.**
C/ Trepadella, nº 10 · Pol. Ind. Castellbisbal Sud
E-08755 Castellbisbal (Barcelona)
Tel.: +34/93/772 28 49 · Fax: +34/93/772 01 80
saet94@saet94.com
- I** **STEINEL Italia S.r.l.**
Largo Donegani 2 · I-20121 Milano
Tel.: +39/02/96457231 · Fax: +39/02/96459295
info@steinel.it · www.steinel.it
- P** **Pronodis · Soluções Tecnológicas, Lda.**
Zona Industrial Vila Verde Sul, Rua D, nº 11
P-3770-305 Oliveira do Bairro
Tel.: +351/234/484031 · Fax: +351/234/484033
pronodis@pronodis.pt · www.pronodis.pt
- S** **KARL H STRÖM AB**
Verktygsvägen 4 · S-55302 Jönköping
Tel.: +46/36/31 42 40 · Fax: +46/36/31 42 49 · www.khs.se
- DK** **Roliba A/S**
Hvidkærvej 52 · DK-5250 Odense SV
Tel.: +45 6593 0357 · Fax: +45 6593 2757 · www.roliba.dk
- FI** **Oy Hedtec Ab**
Lauttasaarentie 50 · FI-00200 Helsinki
Tel.: +358/207 638 000 · Fax: +358/9/673 813
www.hedtec.fi/valaistus · lighting@hedtec.fi
- N** **Vilan AS**
Tvetenvelien 30 B · N-0666 Oslo
Tel.: +47/22725000 · Fax: +47/22725001 · post@vilan.no

- GR** **PANOS Lingonis + Sons O. E.**
Aristofanous 8 Str. · GR-10554 Athens
Tel.: +30/210/3212021 · Fax: +30/210/3218630
lygonis@otenet.gr
- PL** **"ŁŁ" Spółka z ograniczoną odpowiedzialnością sp. k.**
Byków, ul. Wrocławska 43 · PL-55-095 Mirków
Tel.: +48/71/3980861 · Fax: +48/71/3980819
firma@angelkaszuk.pl
- CZ** **ELNAS s.r.o.**
Oblekovice 394 · CZ-67181 Znojmo · Tel.: +420/515/220126
Fax: +420/515/244347 · info@elnas.cz · www.elnas.cz
- TR** **EGE SENSORLU AYDINLATMA İTH. İHR. TİC. VE PAZ. Ltd. STİ.**
Gersan Sanayi Sitesi 2305 · Sokak No. 510
TR-06370 Bath Sitesi (Ankara)
Tel.: +90/312/2 57 12 33 · Fax: +90/312 52 56 60 41
ege@egithalat.com.tr · www.egithalat.com.tr
- ATERSAN İTHALAT MAK. İNS. TEKNİK MLZ. SAN. ve TİC. A.Ş.**
Tersane Cad. No: 63 · 34420 Karaköy / İstanbul
Tel.: +90/212/2920664 Pbx. · Fax: +90/212/2920665
info@atersan.com · www.atersan.com
- H** **DINOCOOP Kft**
Radvány u. 24 · H-1118 Budapest
Tel.: +36/1/3193064 · Fax: +36/1/3193066
dinocoop@dinocoop.hu
- LT** **KVARCAS**
Neries krantine 32 · LT-48463, Kaunas
Tel.: +370/37/408030 · Fax: +370/37/408031 · info@kvarcas.lt
- EST** **FORTRONIC AS**
Teguri 45c · EST 51013 Tartu
Tel.: +372/71/475208 · Fax: +372/71/367229 · info@fortronic.ee
- SLO** **Log-line d.o.o.**
Suha pri predoslah 12 · SLO-4000 Kranj
Tel.: +386 42 521 645 · Fax: +386 42 312 331
info@log-line.si · www.log.si
- SK** **NECO SK, a.s.**
Ružová ul. 111 · SK-01901 Ilava
Tel.: +421/42/4 45 67 10 · Fax: +421/42/4 45 67 11
neco@neco.sk · www.neco.sk
- RO** **Steinel Distribution SRL**
Parc Industrial Metrom · RO · 500269 Brasov · Str. Carpatilor nr.60
Tel.: +40(0)268 53 00 00 · Fax: +40(0)268 53 11 11
www.steinel.ro
- HR** **Dajjnsko upravljanje d.o.o.**
Bedežica Smetane 10 · HR-10000 Zagreb
t/ 00365 1 389 06 77 · f/ 00365 1 388 02 47
dajjnsko-upravljanje@inet.hr · www.dajjnsko-upravljanje.hr
- LV** **Ambergs SIA**
Brīvības gatve 195-16 · LV-1039 Rīga
Tel.: 00371 67550740 · Fax: 00371 67552850 · www.ambergs.lv
- BG** **ТАШЕВ-ГАЛВИНГ ООД**
Бул. Климент Охридски № 68 · 1756 София, България
Тел.: +359 2 700 45 45 4 · Факс: +359 2 439 21 12
info@tashvev-galving.com · www.tashvev-galving.com
- RUS** **Датчики, светильники:**
Представитель в России
Сенсорные технологии
Телефон: (499)2372868 · www.steinel.ru.sr
- CN** **STEINEL China**
Representative Office
Shanghai Rm. 21 A-C · Huadu Mansion No. 838
Zhangyang Road Shanghai 200122
Tel: +86 21 5820 4486 · Fax: +86 21 5820 4212
www.steinel.cn · info@steinel.net

110016735 06/2013_E Technische Änderungen vorbehalten.



IR Quattro KNX



IR Quattro HD KNX



HF 360 KNX



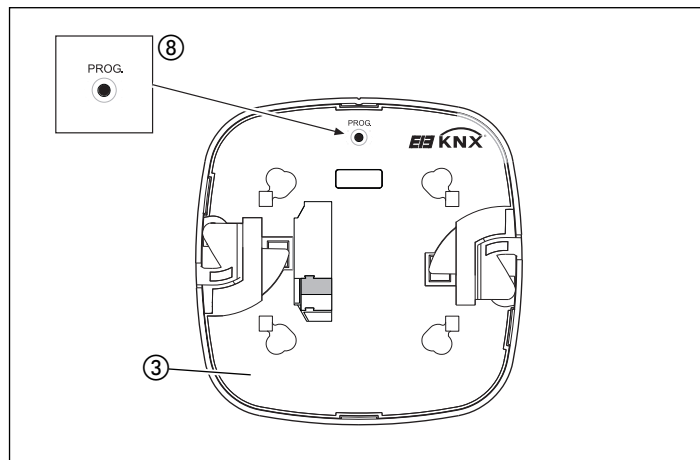
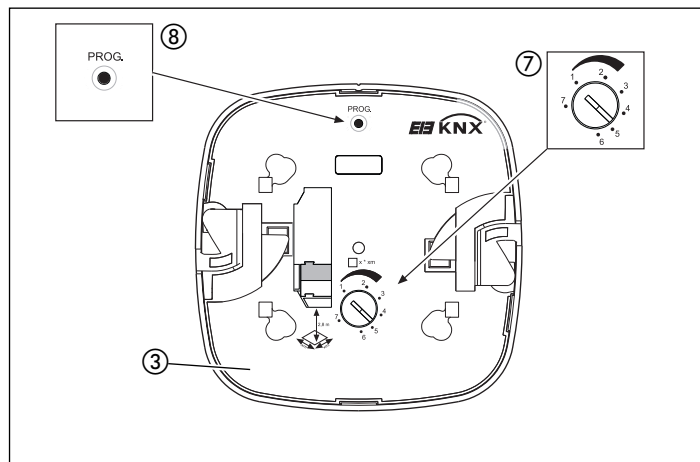
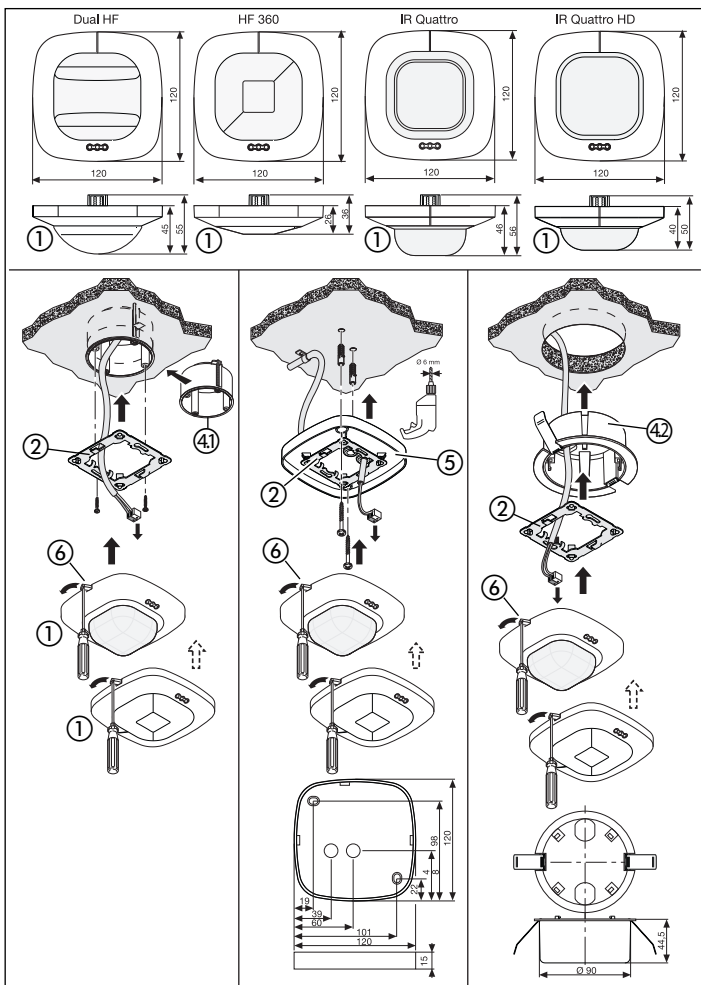
DUAL HF KNX




Information

IR Quattro KNX
IR Quattro HD KNX
HF 360 KNX
DUAL HF KNX

CONTROL
PRO
SYSTEM




7

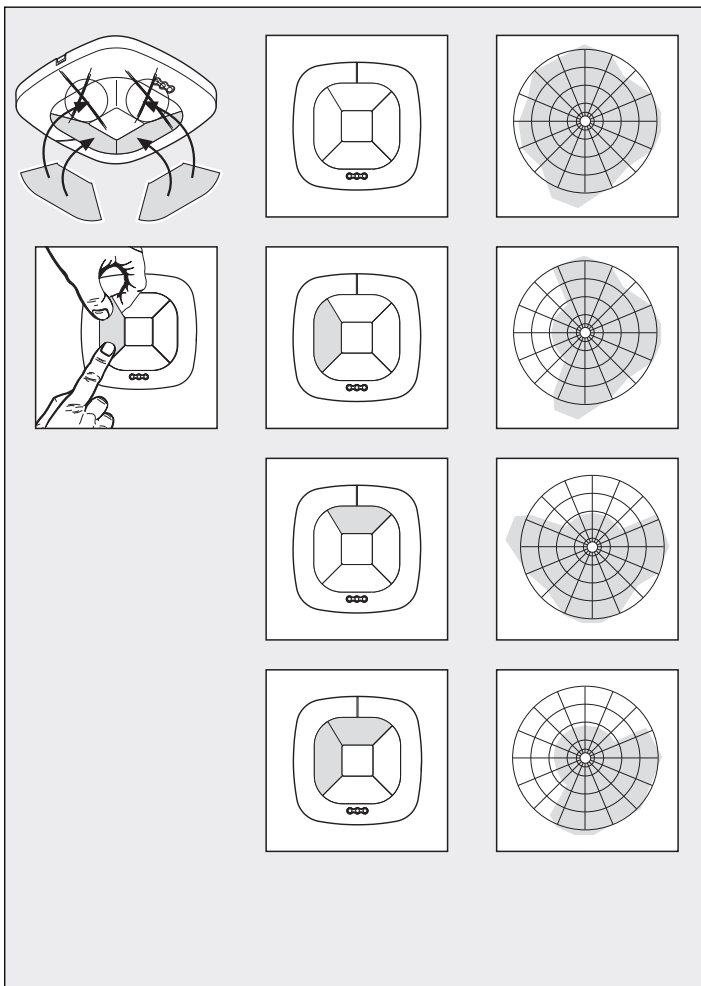
		IR Quattro KNX			IR Quattro HD KNX		
		Presence	Radial	Tangential	Presence	Radial	Tangential
2,50 m	1	2,6 m x 2,6 m	2,6 m x 2,6 m	2,8 m x 2,8 m	3,6 m x 3,6 m	3,6 m x 3,6 m	4 m x 4 m
	2	2,9 m x 2,9 m	2,9 m x 2,9 m	2,8 m x 2,8 m	4 m x 4 m	4 m x 4 m	4 m x 4 m
	3	3,2 m x 3,2 m	3,2 m x 3,2 m	2,8 m x 2,8 m	4,6 m x 4,6 m	4,6 m x 4,6 m	5 m x 5 m
	4	3,4 m x 3,4 m	3,4 m x 3,4 m	3,8 m x 3,8 m	5,2 m x 5,2 m	5,2 m x 5,2 m	6 m x 6 m
	5	3,6 m x 3,6 m	3,8 m x 3,8 m	4,7 m x 4,7 m	5,8 m x 5,8 m	5,8 m x 5,8 m	8 m x 8 m
	6	4,1 m x 4,1 m	4,2 m x 4,2 m	5,6 m x 5,6 m	6,8 m x 6,8 m	6,8 m x 6,8 m	13 m x 13 m
	7	4,7 m x 4,7 m	4,7 m x 4,7 m	6,6 m x 6,6 m	7,8 m x 7,8 m	7,8 m x 7,8 m	18 m x 18 m
2,80 m	1	2,8 m x 2,8 m	2,8 m x 2,8 m	2,8 m x 2,8 m	3,8 m x 3,8 m	3,8 m x 3,8 m	4 m x 4 m
	2	3,1 m x 3,1 m	3,1 m x 3,1 m	3 m x 3 m	4,4 m x 4,4 m	4,4 m x 4,4 m	4,5 m x 4,5 m
	3	3,5 m x 3,5 m	3,5 m x 3,5 m	3,8 m x 3,8 m	5,1 m x 5,1 m	5,1 m x 5,1 m	5,5 m x 5,5 m
	4	3,9 m x 3,9 m	3,9 m x 3,9 m	4,5 m x 4,5 m	5,5 m x 5,5 m	5,5 m x 5,5 m	6,5 m x 6,5 m
	5	4,2 m x 4,2 m	4,2 m x 4,2 m	5,4 m x 5,4 m	5,9 m x 5,9 m	5,9 m x 5,9 m	8,5 m x 8,5 m
	6	4,4 m x 4,4 m	4,4 m x 4,4 m	6,1 m x 6,1 m	6,9 m x 6,9 m	6,9 m x 6,9 m	17 m x 17 m
	7	4,7 m x 4,7 m	4,7 m x 4,7 m	7,1 m x 7,1 m	7,9 m x 7,9 m	7,9 m x 7,9 m	20 m x 20 m
3,00 m	1	2,8 m x 2,8 m	2,8 m x 2,8 m	2,8 m x 2,8 m	4 m x 4 m	4 m x 4 m	4 m x 4 m
	2	3,2 m x 3,2 m	3,3 m x 3,3 m	3,3 m x 3,3 m	4,8 m x 4,8 m	4,8 m x 4,8 m	5 m x 5 m
	3	3,6 m x 3,6 m	3,8 m x 3,8 m	4,7 m x 4,7 m	5,6 m x 5,6 m	5,6 m x 5,6 m	6 m x 6 m
	4	3,7 m x 3,7 m	4,2 m x 4,2 m	5,4 m x 5,4 m	5,8 m x 5,8 m	5,8 m x 5,8 m	7 m x 7 m
	5	3,8 m x 3,8 m	4,7 m x 4,7 m	6,1 m x 6,1 m	6 m x 6 m	6 m x 6 m	9 m x 9 m
	6	4,2 m x 4,2 m	4,7 m x 4,7 m	6,6 m x 6,6 m	7 m x 7 m	8 m x 8 m	20 m x 20 m
	7	4,2 m x 4,2 m	4,8 m x 4,8 m	7 m x 7 m	8 m x 8 m	8 m x 8 m	22 m x 22 m
3,50 m	1	2,8 m x 2,8 m	4,7 m x 4,7 m	4,7 m x 4,7 m	4,8 m x 4,8 m	5 m x 5 m	6 m x 6 m
	2	3,2 m x 3,2 m	5,2 m x 5,2 m	5,6 m x 5,6 m	5 m x 5 m	5,5 m x 5,5 m	6 m x 6 m
	3	3,6 m x 3,6 m	5,6 m x 5,6 m	7,5 m x 7,5 m	5,4 m x 5,4 m	6 m x 6 m	6 m x 6 m
	4	3,7 m x 3,7 m	6,6 m x 6,6 m	9,1 m x 9,1 m	5,8 m x 5,8 m	7 m x 7 m	9,5 m x 9,5 m
	5	3,8 m x 3,8 m	7,1 m x 7,1 m	9,9 m x 9,9 m	6,2 m x 6,2 m	8 m x 8 m	13 m x 13 m
	6	4,2 m x 4,2 m	7,5 m x 7,5 m	11 m x 11 m	7,2 m x 7,2 m	9,5 m x 9,5 m	20,5 m x 20,5 m
	7	4,2 m x 4,2 m	8,6 m x 8,6 m	12 m x 12 m	8,2 m x 8,2 m	11 m x 11 m	28 m x 28 m

- 4 -

7

		IR Quattro KNX			IR Quattro HD KNX		
		Presence	Radial	Tangential	Presence	Radial	Tangential
4,00 m	1	—	3,8 m x 3,8 m	3,8 m x 3,8 m	—	6 m x 6 m	7 m x 7 m
	2	—	3,8 m x 3,8 m	4,7 m x 4,7 m	—	6 m x 6 m	7,5 m x 7,5 m
	3	—	3,8 m x 3,8 m	5,6 m x 5,6 m	—	6 m x 6 m	8 m x 8 m
	4	—	4,7 m x 4,7 m	7,5 m x 7,5 m	—	7 m x 7 m	12 m x 12 m
	5	—	4,7 m x 4,7 m	7,5 m x 7,5 m	—	8 m x 8 m	15 m x 15 m
	6	—	5,6 m x 5,6 m	8,5 m x 8,5 m	—	8 m x 8 m	20 m x 20 m
	7	—	7,5 m x 7,5 m	10 m x 10 m	—	8,4 m x 8,4 m	24 m x 24 m
5,00 m	1	—	—	—	—	6 m x 6 m	8 m x 8 m
	2	—	—	—	—	6,3 m x 6,3 m	11 m x 11 m
	3	—	—	—	—	6,7 m x 6,7 m	14 m x 14 m
	4	—	—	—	—	7 m x 7 m	17 m x 17 m
	5	—	—	—	—	7,4 m x 7,4 m	20 m x 20 m
	6	—	—	—	—	7,7 m x 7,7 m	24 m x 24 m
	7	—	—	—	—	8,1 m x 8,1 m	27 m x 27 m
6,00 m	1	—	—	—	—	7 m x 7 m	9 m x 9 m
	2	—	—	—	—	7,1 m x 7,1 m	12 m x 12 m
	3	—	—	—	—	7,3 m x 7,3 m	16 m x 16 m
	4	—	—	—	—	7,4 m x 7,4 m	19 m x 19 m
	5	—	—	—	—	7,5 m x 7,5 m	23 m x 23 m
	6	—	—	—	—	7,7 m x 7,7 m	26 m x 26 m
	7	—	—	—	—	7,8 m x 7,8 m	30 m x 30 m
8,00 m	1	—	—	—	—	7,4 m x 7,4 m	11 m x 11 m
	2	—	—	—	—	7,5 m x 7,5 m	15 m x 15 m
	3	—	—	—	—	7,7 m x 7,7 m	19 m x 19 m
	4	—	—	—	—	7,8 m x 7,8 m	24 m x 24 m
	5	—	—	—	—	7,9 m x 7,9 m	28 m x 28 m
	6	—	—	—	—	8,1 m x 8,1 m	32 m x 32 m
	7	—	—	—	—	8,2 m x 8,2 m	36 m x 36 m

- 5 -



D Bedienungsanleitung

Sehr geehrter Kunde,

vielen Dank für das Vertrauen, das Sie uns beim Kauf Ihres neuen STEINEL-Präsenzmelders entgegengebracht haben. Sie haben sich für ein hochwertiges Qualitätsprodukt entschieden, das mit größter Sorgfalt produziert, getestet und verpackt wurde.

Bitte machen Sie sich vor der Installation mit dieser Montageanleitung vertraut. Denn nur eine sachgerechte Installation und Inbetriebnahme gewährleistet einen langen, zuverlässigen und störungsfreien Betrieb.

Wir wünschen Ihnen viel Freude an Ihrem neuen STEINEL-Sensor.

⚠ Sicherheitshinweise

- Die Installation darf nur durch Fachpersonal nach den landesüblichen Installationsvorschriften VDE 08 29 (DIN EN 5000 90) durchgeführt werden.
- In einer Umgebung mit Niederspannungserzeugnissen kann eine nicht fachgerechte Montage schwerste gesundheitliche oder materielle Schäden verursachen.
- Dieses Gerät darf niemals an Niederspannung (230 V AC) angeschlossen werden, da es für den Anschluss an Kleinspannungskreise bestimmt ist.

Gerätebeschreibung

- | | | |
|----------------------------------|-----------------------------------|--|
| ① Sensormodul | ④ Klammer-Deckenadapter UP Box | ⑧ Programmier­taster |
| ② Blechrahmen | ⑤ Aufputzadapter | ⑨ Montage Installation |
| ③ Sensorunterseite | ⑥ Verschlussmechanismus, optional | ⑩ Abdeckfolien zur Minimierung des Erfassungsbereiches (HF 360 KNX). |
| ④ Klammer-Hohlwanddose, optional | ⑦ Reichweiteneinstellung | |

Montage/Installation ⑨

Der Sensor ist nur zur Unterputz-Deckenmontage in Räumen vorgesehen. Ein entsprechender Klammer-Deckenadapter sowie ein Aufputz-Adapter ist im Lieferumfang nicht enthalten.

GB Operating Instructions

Dear Customer,

Congratulations on purchasing your new STEINEL presence detector and thank you for the confidence you have shown in us. You have chosen a high-quality product that has been manufactured, tested and packed with the greatest care.

Please familiarise yourself with these instructions before attempting to install the presence detector because prolonged, reliable and trouble-free operation will only be ensured if it is fitted and used properly.

We hope your new STEINEL sensor will bring you lasting pleasure.

⚠ Safety Precautions

- The presence detector must only be installed by a qualified electrician in accordance with national wiring regulations as defined in VDE 08 29 (DIN EN 5000 90).
- Installed improperly, low-voltage products can cause extremely serious personal injury or damage to property.
- This product must never be connected to a 230 V AC power supply as it is intended for connection to an extra-low voltage power supply.

System Components

- ① Sensor module
- ② Metal frame
- ③ Sensor base
- ④ Kaiser stud-wall junction box, optional
- ⑤ Surface-mounting adapter
- ⑥ Catch mechanism
- ⑦ Reach setting
- ⑧ Programming button
- ⑨ Installation and wiring
- ⑩ Shrouds for minimising the detection zone (HF 360 KNX).

Installation / Wiring 9

The sensor is only suitable for recessed ceiling installation indoors. A clamping-type ceiling adapter or surface-mounting adapter is not included.

Accessories

Kaiser junction box for stud walls
EAN No.: 4007841 000370
Clamping-type ceiling adapter
EAN No. 4007841 002855
Surface-mounting adapter
AP Box KNX
EAN no.: 4007841 003029

Guard cage
EAN no.: 4007841003036
RC6 KNX service remote control
EAN no.: 4007841 593018
User remote control
RC7 KNX
EAN no.: 4007841 592912

How it Works / Basic Function

The infrared and HF presence detectors from the Control PRO range control lighting as well as HVAC, e.g. in offices, schools, public buildings or at home, in relation to ambient light level and the presence of persons.

The IR Quattro with highly advanced lens provides a square detection zone, as the typical shape of a room, in which the smallest of movements are sensed.

Using modern, high-frequency technology, the HF 360 guarantees detection of movement absolutely anywhere irrespective of radiated temperature.

Sensing movement in two directions, the DUAL HF-sensor is ideal for corridors in hotels, schools and office buildings.

Presence Control has a low intrinsic power consumption.

- Presence detection
- Controlling lighting with brightness control
- HVAC control

The function to be used (activated) is defined by the "General Settings" parameter window using the ETS3.f version of the Engineering Tool Software (ETS) and higher.

Operation

Note: To calibrate the presence detector, please go to www.knx.steinell.de

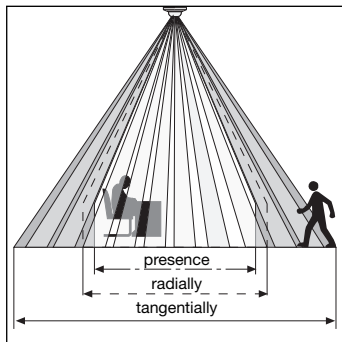
1. Issue Physical address and generate calibration programme in the ETS.

2. Load the Physical Address and Calibration Program into the presence detector. When you are prompted to press the programming button (8).

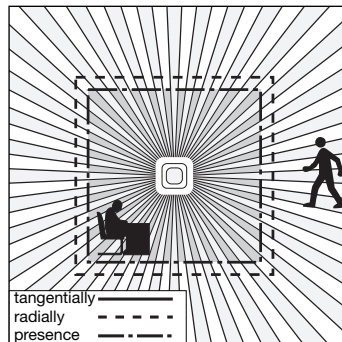
3. The blue LED goes out once programming has been successfully completed.

Detection Zone

IR Quattro KNX / IR Quattro HD KNX

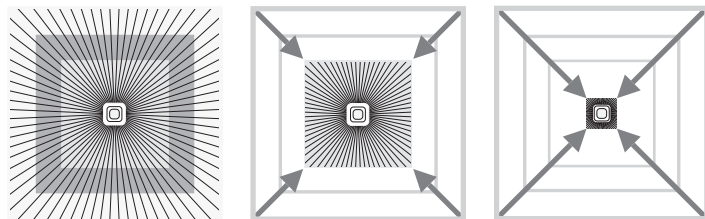


Reliable presence detection largely depends on the number, condition and arrangement of the lens segments. The IR Quattro KNX with its square detection zone of 16 m² divided up into 13 levels and 1760 switching zones senses the smallest of movements. With a square detection zone covering an area of 64 m², the IR Quattro HD KNX has 4800 switching zones that



provide even greater precision. These reaches can be adjusted to suit specific requirements at the setting potentiometer. The square detection zone and the capability of interconnecting master/slave versions provide the basis for creating optimum configurations quickly and easily.

Reach Setting (PC IR Quattro / IR Quattro HD KNX)

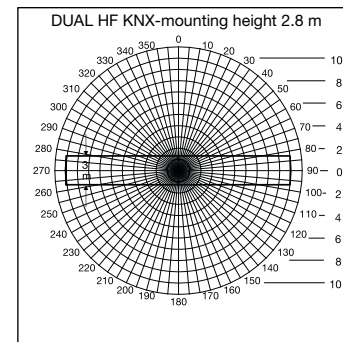
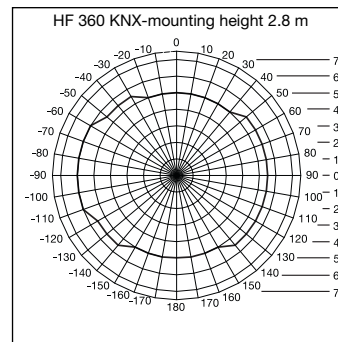


Potentiometer ⑦

Adjusts reach to specific requirements. See table on pages 4/5 showing technical

specifications for selecting settings to suit specific requirements.

Reach Setting (HF 360 KNX / DUAL HF KNX)

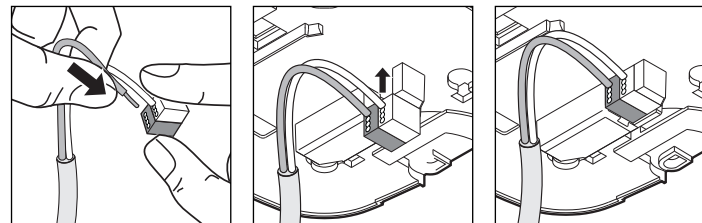


HF 360 KNX reach can be selected using the remote control RC 6 (see Accessories) as well as ETS Software/KNX BUS (refer to calibration description, www.knx.steinel.de). 1 or 2 detection directions can be masked out for adjustment to the room situation. An angle of coverage of

360° provides a max. reach of 8 m. The DUAL HF KNX sensor has 2 special HF sensors that detect movement from the ceiling in both directions. Reach is electronically selectable in either direction.

Electrical Installation / Automatic Mode

In selecting the wiring leads, it is important to meet the wiring regulations laid down in VDE 08 29 (DIN EN 5000 90) - (see Safety warnings on page 14).



Technical Specifications

KNX mains connection:	24 V via KNX bus voltage	
Settings:	by means of ETS software, remote control or bus	
Lighting channels: Light 1 – Light 4	Switching/dimming; switching mode - constant-lighting control	
Stay-'ON' time:	IQ mode, 1 – 30 min., depending on presence and light level	
Light measurement:	Mixed light	
Basic brightness :	OFF/ 10% – 50%	
Stay-'ON' time:	Basic brightness 'ON' duration, 1 – 30 min.	
HVAC output:	depending on presence	
Switch-on delay:	Room surveillance, 1 – 30 min.	
Stay-'ON' time:	1 – 120 min.	
Presence stay-'ON' time output:	1 – 255 sec.	
Further outputs:	Light level, scenario-controlled	
Square detection zones:	IR Quattro KNX Presence: no more than 4 x 4 m (16 sqm) Radially: no more than 5 x 5 m (25 sqm) Tangentially: no more than 7 x 7 m (49 sqm)	IR Quattro HD KNX no more than 8 x 8 m (64 sqm) no more than 8 x 8 m (64 sqm) no more than 20 x 20 m (400 sqm)
Angle of coverage:	HF 360 KNX 360° with 140° aperture angle also through glass, wood and stud walls. 1 or 2 detection directions can be masked out for adjustment to the room situation.	DUAL HF KNX refer to diagram on p. 17 also through glass, wood and stud walls.
Reach:	HF 360 KNX at most 8 m all-round, at least 1/3, 2/3, max. electronically selectable setting (ETS software, KNX bus, remote control RC 6)	DUAL HF KNX min., 1/3, 2/3, max. electronically selectable setting in either direction (ETS software, KNX bus, remote control RC 6)

Remote Control

Using the PC 7 user remote control (optional), functions can be conveniently activated from the floor.

Service remote control RC 6 (optional) permits convenient configuration (see Accessories on p. 15)

Troubleshooting

Malfunction	Cause	Remedy
Light does not switch 'ON'	<ul style="list-style-type: none"> ■ No supply voltage ■ Twilight level set too low ■ No movement being detected 	<ul style="list-style-type: none"> ■ Check supply voltage ■ Slowly increase light threshold level until light switches 'ON' ■ Ensure unobstructed sensor vision ■ Check detection zone
Light does not switch 'OFF'	<ul style="list-style-type: none"> ■ Ambient brightness too high for selected light level ■ Stay-'ON' time running out ■ Interference from heat sources (IR sensor only), e.g.: fan heater, open doors and windows, pets, light bulb/halogen floodlight, moving objects 	<ul style="list-style-type: none"> ■ Increase light level setting ■ Wait until stay-'ON' time elapses; reduce stay-'ON' time if necessary ■ Use stickers to mask out stationary sources of interference
Sensor switches 'OFF' in spite of persons being present	<ul style="list-style-type: none"> ■ Stay-'ON' time too short ■ Light-level threshold too low 	<ul style="list-style-type: none"> ■ Increase stay-'ON' time ■ Change light threshold
Sensor does not switch 'OFF' quickly enough	<ul style="list-style-type: none"> ■ Stay-'ON' time too long 	<ul style="list-style-type: none"> ■ Reduce stay-'ON' time
Sensor does not switch 'ON' quickly enough when approached from the front	<ul style="list-style-type: none"> ■ Reach is reduced when approached from the front too low 	<ul style="list-style-type: none"> ■ Install additional sensors ■ Reduce distance between two sensors
Sensor does not switch 'ON' when persons are present in spite of it being dark	<ul style="list-style-type: none"> ■ Twilight level set 	<ul style="list-style-type: none"> ■ Sensor deactivated by switch/button? ■ Semi-automatic mode? ■ Increase light level setting

CE Declaration of Conformity

This product complies with
- EMC Directive 2004/108/EC
- RoHS Directive 2002/95/EC.

Functional Warranty

This Steinel product has been manufactured with utmost care, tested for proper operation and safety and then subjected to random sample inspection. Steinel guarantees that it is in perfect condition and proper working order.

FUNCTIONAL
36 month
WARRANTY

The warranty period is 36 months and starts on the date of sale to the consumer. We will remedy defects caused by material flaws or manufacturing faults. The warranty will be met by repair or replacement of the defective parts at our own discretion. The warranty shall not cover damage to wear parts, damage or defects caused by improper treatment or maintenance. Further consequential damage to other objects shall be excluded.

Claims under the warranty shall only be accepted if the product is sent fully assembled and well packed complete with a brief description of the fault, a receipt or invoice (date of purchase and dealer's stamp) to the appropriate Service Centre.

Repair service:
Our Customer Service Department will repair faults not covered by warranty or after the warranty period. Please send the product well packed to your nearest Service Centre.

F Mode d'emploi

Cher client,

Nous vous remercions de la confiance que vous avez témoignée à STEINEL en achetant ce détecteur de présence. Vous avez choisi un article de très grande qualité, fabriqué, testé et conditionné avec le plus grand soin.

Avant de l'installer, veuillez lire attentivement ces instructions de montage. En effet, seules une installation et une mise en service correctement effectuées garantiront durablement un fonctionnement impeccable et fiable.

Nous souhaitons que votre nouveau détecteur STEINEL vous apporte entière satisfaction.

LL

⚠ Consignes de sécurité

- L'installation doit être effectuée par un professionnel conformément aux directives locales d'installation (VDE 08 29, NF-C 15100) (DIN EN 5000 90).
- Dans un environnement présentant des appareils basse tension, un montage incorrect est susceptible de causer de graves dommages matériels ou de mettre en danger la santé des personnes.
- Il est interdit de raccorder cet appareil à basse tension (230 V AC) prévu pour des circuits très basse tension.

Description de l'appareil

- | | | |
|---|---|--|
| ① Module du détecteur | ④ Adaptateur de plafond à pinces UP Box | ⑨ Montage installation |
| ② Cadre de tôle | ⑤ Adaptateur sur crépi | ⑩ Caches pour limitation de la zone de détection (HF 360 KNX). |
| ③ Partie inférieure du détecteur | ⑥ Mécanisme de fermeture | |
| ④ Boîte pour parois creuses, Kaiser en option | ⑦ Réglage de la portée | |
| | ⑧ Touche de programmation | |

Montage / Installation ⑨

Ce détecteur est prévu uniquement pour un montage au plafond, sous crépi. Un adaptateur de plafond à pinces correspondant et un adaptateur sur crépi ne sont pas compris dans la livraison.